

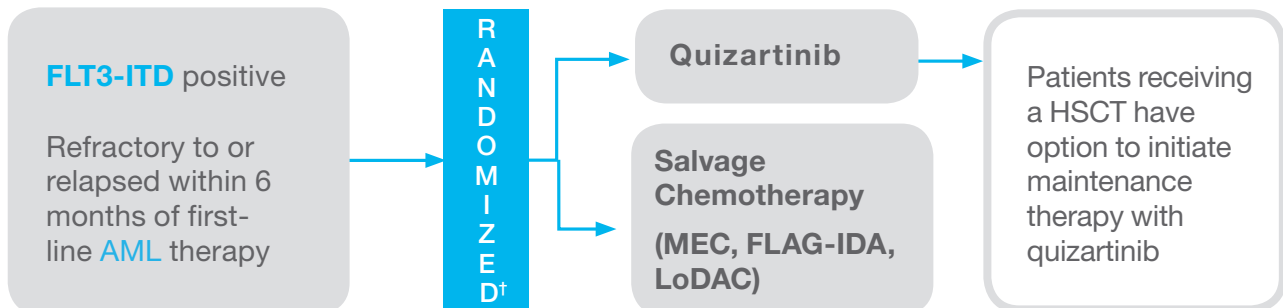
NOW RECRUITING
Relapsed Refractory
FLT3-ITD (+) AML



Quizartinib Advancement into the Next Generation of Trials for Unmet Needs in AML

A Phase III, Open-Label Randomized Study of Quizartinib (AC220) Monotherapy Versus Salvage Chemotherapy in Subjects with **FLT3-ITD** Positive Acute Myeloid Leukemia (**AML**) Refractory to or Relapsed After First-line Treatment, With or Without Hematopoietic Stem Cell Transplant (HSCT)

Patient Population



*2:1 quizartinib vs. salvage chemotherapy (estimated enrollment = 326).

Primary Endpoint: Overall survival

Secondary Endpoints: Event-Free Survival

Location: Approximately 150 centers in North America, Europe, Australia

ClinicalTrials.gov Identifier: NCT02039726

Quizartinib is an investigational agent and is not approved by the FDA or other regulatory agencies worldwide as a treatment for any indication. Efficacy and safety have not been established. There is no guarantee that quizartinib will become commercially available.

For more information about this clinical trial, please visit www.clinicaltrials.gov/ct2/show/NCT02039726 or www.quantumrstudy.com/ or call 1-844-432-3916



Passion for Innovation.
Compassion for Patients.™